

**ABBATTITORI/CONGELATORI  
BLAST CHILLERS AND FREEZERS**

**BLAST CHILLERS/FREEZERS 28kg GN 1/1 CROSSWISE**

Code	Avv.	Type	Ref.	Page	Brand
726629	27	Crosswise 28/35 kg GN 1/1 Freezer	a	2 4	Electrolux
110722	25	Crosswise 28/35 kg GN 1/1 Freezer	b	2 4	Zanussi
728215	25	Crosswise 28/35 kg GN 1/1 Freezer	c	2 4	Alpeninox
726622	21	Crosswise 28 kg GN 1/1 Chiller	d	2 4	Electrolux
110718	20	Crosswise 28 kg GN 1/1 Chiller	e	2 4	Zanussi
728211	20	Crosswise 28 kg GN 1/1 Chiller	f	2 4	Alpeninox
726623	16	Crosswise 28 kg GN 1/1 Chiller remote	g	2 4	Electrolux
110033	05	Crosswise 28 kg GN 1/1 Chiller USA version	h	2 4	Zanussi
110037	14	Crosswise 28 kg GN 1/1 Chiller 220-230\1\60hz	i	2 4	Zanussi
110041	09	Crosswise 28/35 kg GN 1/1 Freezer 220-230\1\60hz	l	2 4	Zanussi
728308	08	Crosswise 28 kg GN 1/1 Chiller	m	2 4	Franstal
728450	12	Crosswise 28/35 kg GN 1/1 Freezer	n	2 4	Franstal
727132	09	BLAST CHILL/FREEZER 32/28KG 10GN1/1-60HZ	o	2 4	Electrolux



**NOTE:**

Has been change the user board and food probes from ser.N°01700001 due to a new connectors. Please for other information look the tec.doc n°VTX.2010-03

update from serial number ~ 83000001 change thermostatic valve on codes 728450-110722-728215-727132-726629

update from serial number ~ 70500001 change estetic in codes 728211-728215-728308-728450

update from serial number ~ 5200001 change estetic in codes 726629-726622-726623

new evaporator probe from ser.numb.~ 51100001

from serial number ~ 51800001 as been remove vibration damping

From ser. N° ~ 71600001 are changed the board main and user and sticker control

**Pag./Page**

2  
3  
4  
5

**Indice**

Mobile  
Lista ricambi  
Gruppo  
Lista ricambi

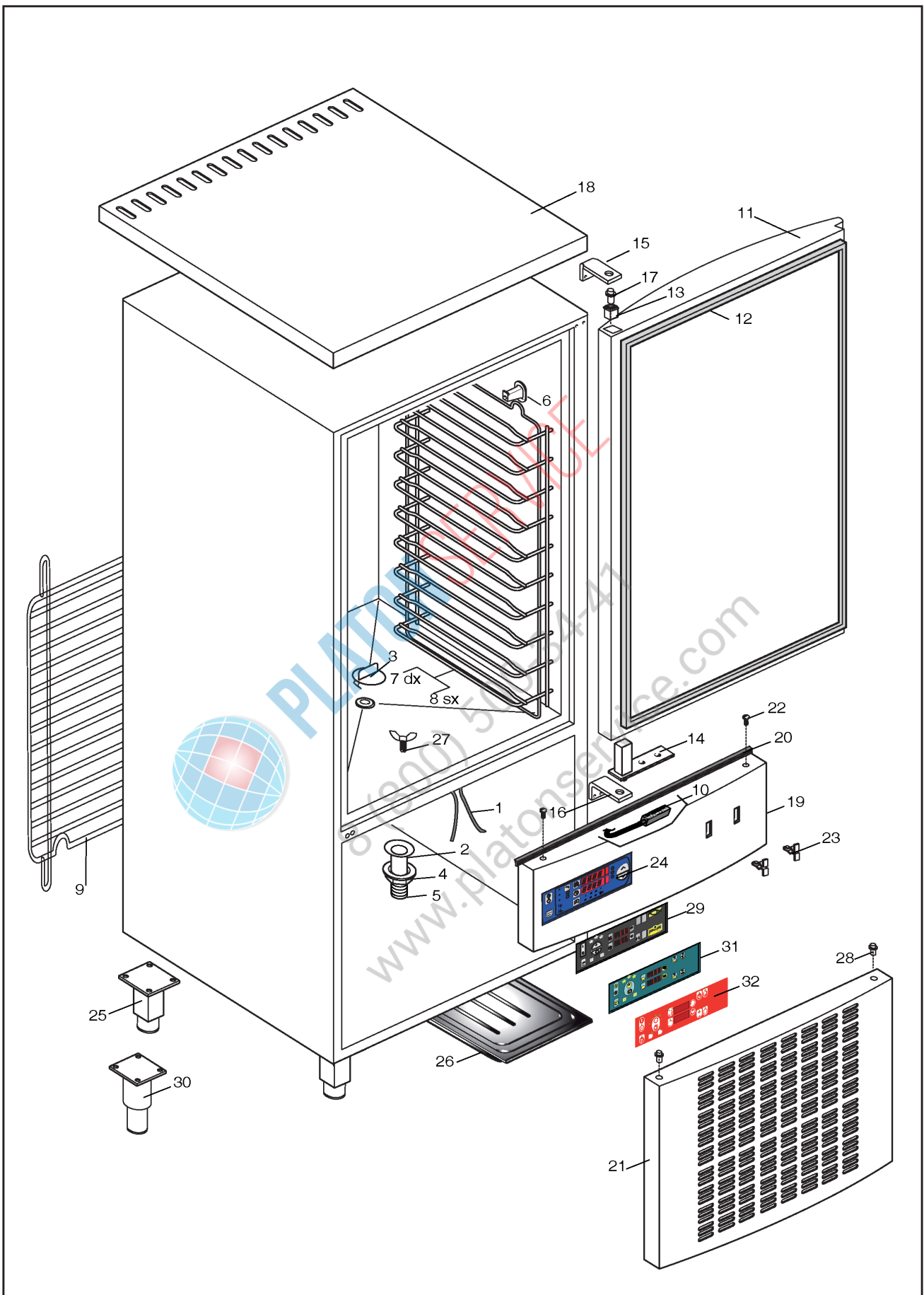
**Index**

Cabinet  
Spare parts list  
Coling unit  
Spare parts list

**Marchio / Brand:Electrolux Zanussi Alpeninox**

**Paese / Country:** Tutti / All

# Crosswise 28kg GN 1/1

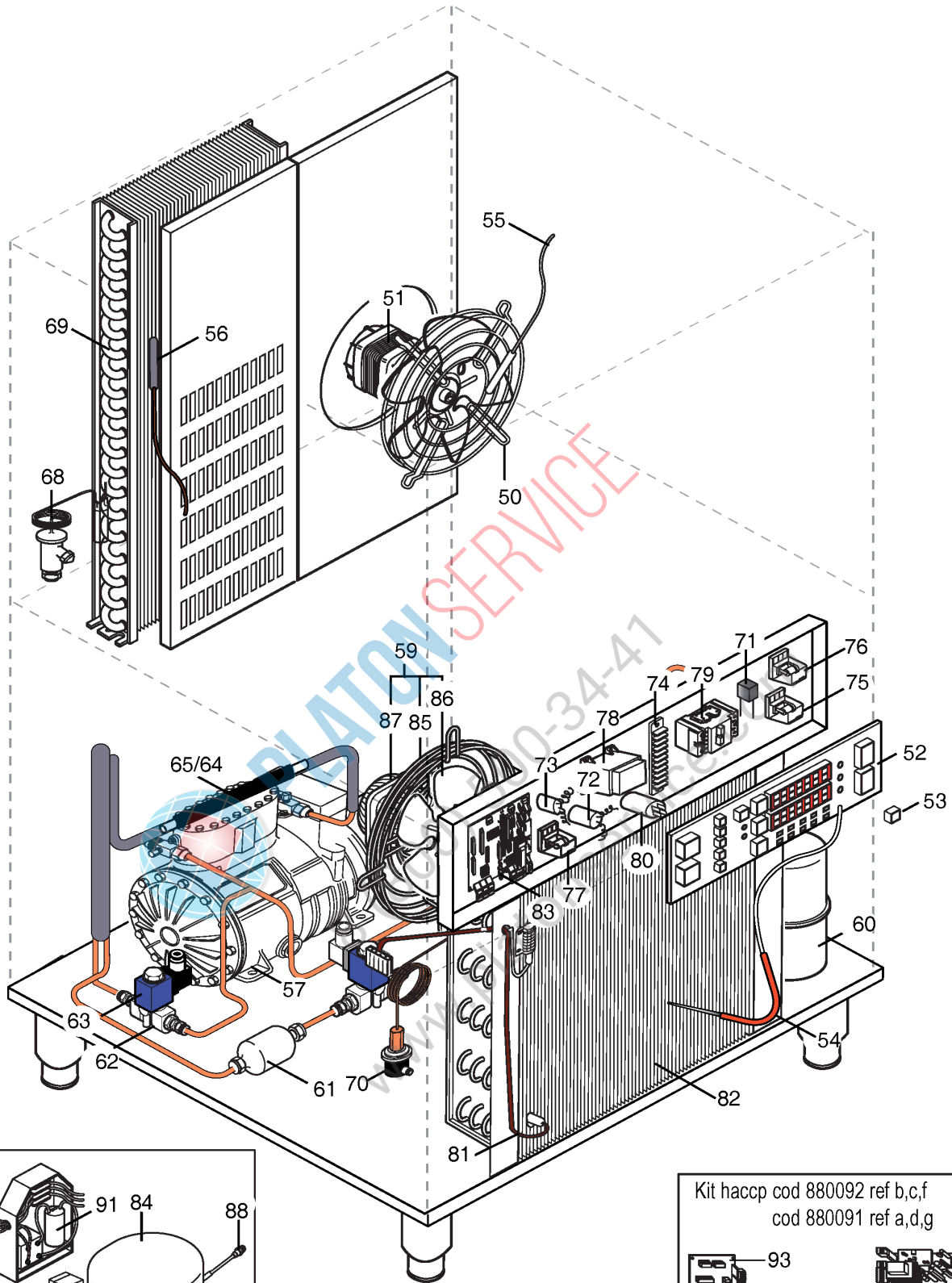


last up date 28 09 2007  
Fino Ser. Nr. / Until to ser. nr.:03507000.. page:2

**Doc. Nr.: 541319**

??????		110722									
??????		541319		???????? 2		Cabinet					
.		Alias		S			.				(Euro)
0001	084724							HEATING ELEMENT	a,b,c,l,n,o		20,00
0002	083591							STRAINER WASTE			29,03
0003	083886							PLUG	a,b,c,d,e,f,g,i,l,m,n		9,98
0004	083592							LOCK NUT			7,12
0005	085593							DRAWER			
0006	083878							SUPPORT			1,46
0007	088617							RIGHT SUPPORT	a,b,c,d,e,f,g,i,l,m,n,o		90,03
0008	088618				D			LEFT SUPPORT	a,b,c,d,e,f,g,i,l,m,n,o		90,03
0009	088619							BACK PANEL			57,14
0010	088578			S	A			MAGNETIC SWITCH CPL.			22,13
0011	085764							DOOR	a,b,c,d,e,f,g,i,l,m,n,o		504,00
0012	083397							DOOR GASKET; 666,5X736,5 MM	a,b,c,d,e,f,g,i,l,m,n,h,i,o		19,69
0013	083875			S				BUSH			2,62
0014	083876							HINGE			33,80
0015	085754							HINGE			30,25
0016	085755							BRACKET			20,71
0017	0A9124			S				PIN			13,59
0018	085759							LID	b,c,e,f,h a,d,g,i,l,m,n,o		203,00
0019	088621				D			CONTROL PANEL	b,c,e,f,h,i,l,n,a,d,g,o		144,10
0020	088581		0L3189					TRIMMING	a,b,c,d,e,f,g,i,l,m,n		
0021	088622				D			CONTROL PANEL	b,c,e,f,h,i,l,m,n,a,d,g		127,90
0022	000000	518713700									
0023	053342							SPRING; FOR BRAND			1,02
0026	080803							CONDENSER BASIN			26,29
0027	090008							SCREW			3,37
0028	088338		050168					PIN			
0029	088584							MEMBRANE	b,l - until to ser.n°716..		197,90
0029	091296		094229					MEMBRANE; BLAST FREEZER T.C.	b,l - from ser.n°716..		
0030	048579			S				COMPLETE FOOT; H=153MM			16,66

Crosswise 28kg GN 1/1



Kit haccp cod 880092 ref b,c,f  
 cod 880091 ref a,d,g

Board Haccp

??????	110722								
??????	541319		???????? 4				Coling unit		
.		Alias		S			.		(Euro)
0050	088623							PROTECTION FAN CELL	34,21
0051	088624			S	A			FAN MOTOR	a,b,c,d,e,f,g,i,l,m,n,o
0052	088591			S	A			USER INTERFACE BOARD; PREC20D	until to ser.n°01600...
0052	092700			S	A			USER INTERFACE BOARD	From ser.n°01700001
0053	002670							EXTENSION; L=6,95MM	1,02
0054	088348		092704		A			PROBE	unitl to ser.n°01600...
0054	092704			S	A			CORE PROBE; SINGLE POINT	From ser.n°01700001
0055	099177		095194					PCB; 120V 1P 60HZ USA	
0056	092180			S	A			PROBE; 6X40; GREEN; L=1500MM	19,99
0057	088473							COMPRESSOR; DORIN H180CS 380-420V 3/50H	a,b,c,n - until to ser.n°715
0057	091665				A			COMPRESSOR; TFH2480Z 400/3/50-440/3/60	a,b,c,n - From ser.n°716
0059	088350				A			FAN MOTOR	a,b,c,l,n,o
0060	083403							CONTAINER	a,b,c,l,n,o
0061	087438							STRAINER	a,b,c,l,n,o
0062	084085				A			VALVE BODY; EVR6	a,b,c,l,n,o
0063	088351			S	A	+		COIL; 10W 018F6193 EVR6 220-230/50-60	a,b,c,l,n,o
0064	088480							CONNECTION	a,b,c,l,n
0065	088479							CONNECTION	a,b,c,l,n
0068	088475							THERMOSTATIC VALVE	a,b,c,l,o
0069	088627			S				EVAPORATOR	
0070	085088				A			PRESSURE SWITCH	a,b,c,l,n
0071	088628		099146					FILTER; 110-250V AC/DC	a,b,c,l,n,o
0072	083406							CAPACITOR; 5MF	15,52
0073	084721							CAPACITOR; 4 MF	a,b,c,l,n,o
0074	082171							TERMINAL BOARD	18,57
0075	088197			S	A			RELAY; 400V 16A	a,b,c,g,l,n,o
0076	083215							RELAY; 60.62.8.230	a,b,c,l,n,o
0077	056510							RELAY	26,80
0078	087662				A			TRANSFORMER	a,b,c,d,e,f,g,i,l,m,n,o
0079	083472		091705		A			OVERLOAD CUTOUT; 4-6,3A	a,b,c,l,n - until to ser.N°7370000
0079	091706				A			OVERLOAD CUTOUT; 6,3-10A; EP 0903	a,b,c,l,n,o
0080	084987			S				STRAINER	a,b,c,d,e,f,g,i,l,m,n,o
0081	088345		092188					PROBE	
0082	088602							PROTECTION	1,67
0083	092854		095194					POWER BOARD; 230V 1P; 50/60HZ	a,g,d,b,c,e,f,i,l,m,n,o
0092	000000								b,c,f,l,m,n

??????	110722								
??????	541319	???????? 4	Coling unit						
.		<b>Alias</b>		<b>S</b>		.			<b>(Euro)</b>
0093	088570		092100				PCB		

